

## DA16 Series

16 Watts

**Total Power:** 16 Watts  
**Input Voltage:** 90-264 VAC  
**# of Outputs:** Single



## Electrical Specifications

### Special Features

- Switching wallmount power supply
- Available in multiple AC plug configurations
- CE Mark EMC & LVD
- Universal AC input
- Fully regulated output
- Overload and short circuit protection
- Thermal protection
- Designed to meet Blue Angel standard
- European Code of Conduct compliance
- Constant voltage
- High efficiency
- High MTBF
- Built in EMI filter (CISPR 22 Class B)
- LED power good indicator

### Safety

UL 60950 / 6500  
CSA 60950  
TUV 60950  
NEMKO 60950  
AS/NZS 60950  
CB Certificate and report  
CE EMC & LVD

| Input                                  |  |
|--|--|
| Input range                            | 90-264 VAC (wide range)  |
| Frequency                              | 47-63 Hz   |
| Inrush current                         | 40A @ 230 VAC, cold start @ 25C  |
| Input current                          | 0.18A rms @ 120 VAC; 0.36A @ 240VAC  |
| Efficiency                             | 75% @ full load typical, @120VAC   |
| EMI/RFI                                | FCC Part 15, Subpart B Class B & EN55022 (CISPR 22) Class B & EMC89/336/EEC                    |
| Safety ground leakage current          | 300 $\mu$ A @ 50/60 Hz, 230 VAC input  |
| Output                                 |  |
| Voltage (Vo)                           | 12.2V  |
| Voltage regulation                     | $\pm$ 5% @ constant voltage mode   |
| Maximum Power (Po)                     | 16W  |
| Hold-up time                           | 20ms. typical at full load @ 115 VAC   |
| Overvoltage protection                 | Non-latching type  |
| Overload protection                    | Output short circuit protection auto recover<br>Overload protected @ 150% above maximum rating |
| Overtemperature protection             | Auto recovery  |
| Output cable/connector barrel polarity | DC cable with 2.5 mm x5.5mm barrel plug<br>DC plug center +v<br>DC plug outer -v               |



## Environmental Specifications

|                                 |  |
|---------------------------------|--|
| Operating temperature:          | 0° to +40°C ambient  |
| Storage temperature:            | -40°C to +85°C   |
| Electromagnetic susceptibility: | Designed to meet EN55024   |
| Humidity:                       | Operating; non-condensing 5% to 95% RH   |
| Vibration:                      | Three orthogonal axes, sweep at 1 oct/min. 5 min. dwell at four major resonances 2G peak 8 Hz to 500 Hz, operational |
| MTBF demonstrated:              | >550,000 hours at full load and 25°C ambient conditions  |

## AC Plug Configuration

|                        |    |
|------------------------|----|
| U.S. 2-prong           | US |
| Europe 2-prong         | EU |
| United Kingdom 3-prong | UK |
| Australia 2-prong      | AU |

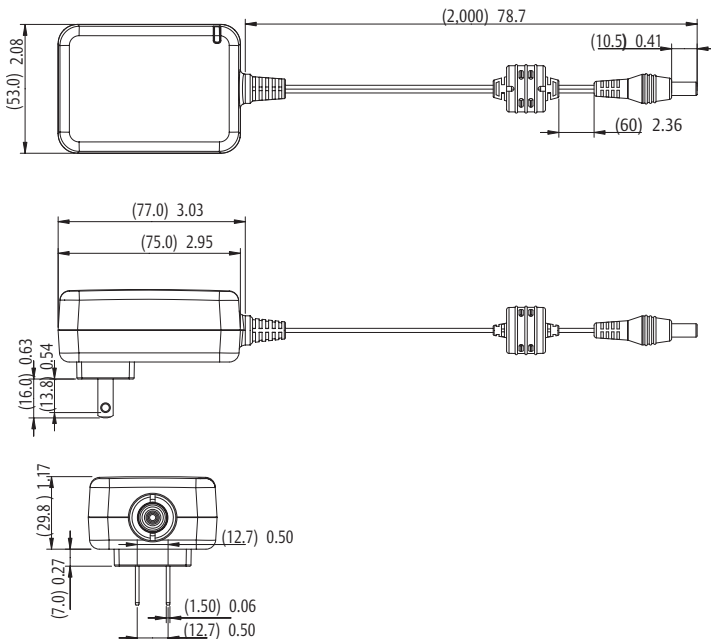
## Ordering Information

| Model Number | Maximum Power | Output Voltage | Minimum Load | Maximum Load | Peak Load <sup>1</sup> | Regulation <sup>2</sup> | Ripple P/P (PARD) <sup>3</sup> |
|--------------|---------------|----------------|--------------|--------------|------------------------|-------------------------|--------------------------------|
| DA16-120US   | 16W           | 12.2V          | 0.2A         | 1.33A        | 1.5A                   | ± 3%                    | 120mV                          |
| DA16-120EU   | 16W           | 12.2V          | 0.2A         | 1.33A        | 1.5A                   | ± 3%                    | 120mV                          |
| DA16-120CH   | 16W           | 12.2V          | 0.2A         | 1.33A        | 1.5A                   | ± 3%                    | 120mV                          |
| DA16-120AU   | 16W           | 12.2V          | 0.2A         | 1.33A        | 1.5A                   | ± 3%                    | 120mV                          |

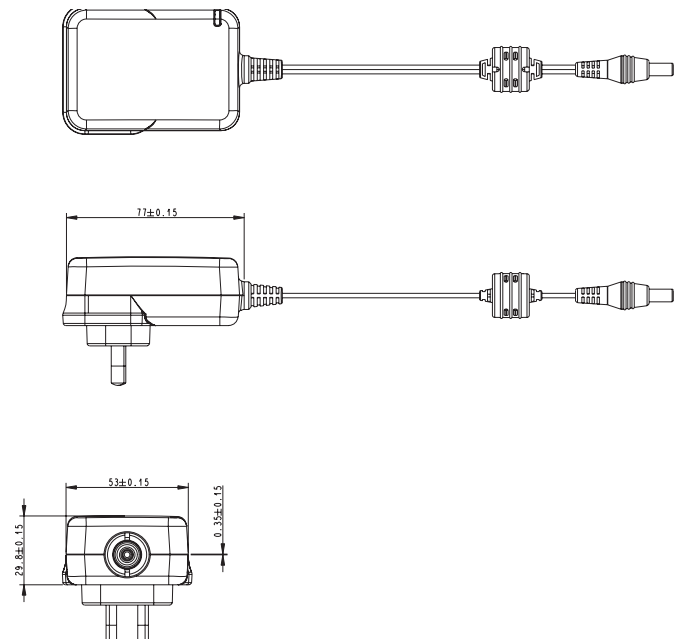
1. Peak current lasting <30 seconds with a maximum 10% duty cycle.
2. At 25°C including initial tolerance, line voltage, load currents and output voltages adjusted to factory settings.
3. Peak-to-peak with 20 MHz bandwidth and 10 µF in parallel with a 0.1 µF capacitor at rated line voltage and load ranges.
4. Minimum loads are required.

## Mechanical Drawing

### DA16XX-US

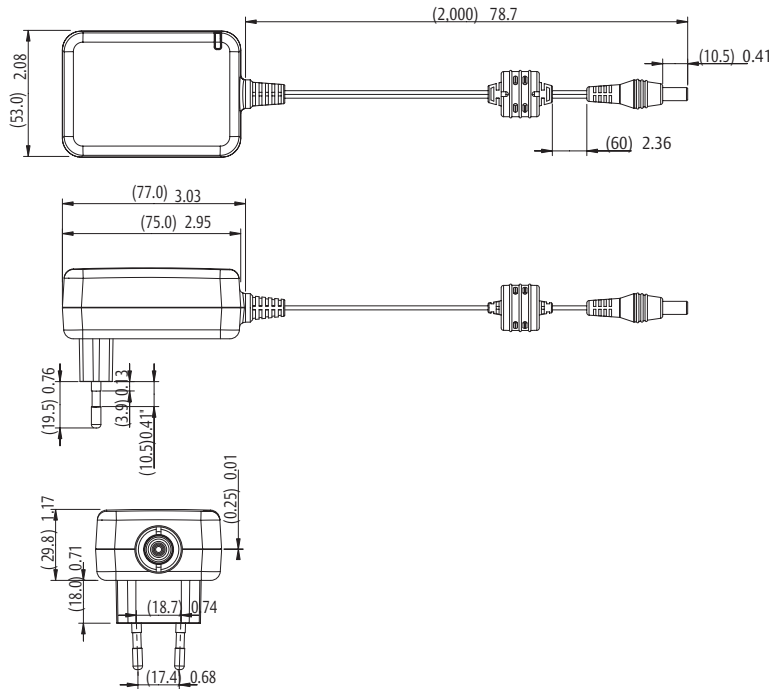


### DA16XX-AU

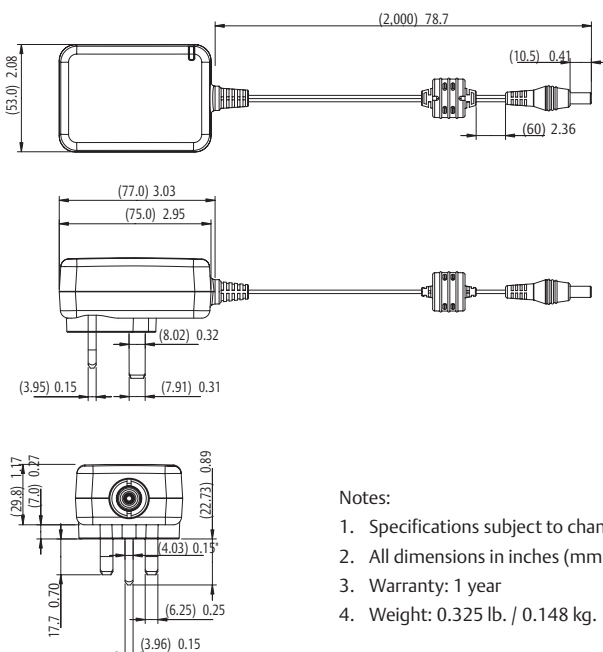


## Mechanical Drawing

### DA16-XXX-EU



### DA16-XXX-UK



Notes:

1. Specifications subject to change without notice.
2. All dimensions in inches (mm), tolerance is  $\pm 0.02^*$
3. Warranty: 1 year
4. Weight: 0.325 lb. / 0.148 kg.

## Astec Power

5810 Van Allen Way  
Carlsbad, CA 92008  
USA  
Telephone: +1 760 930 4600  
Facsimile: +1 760 930 0698  
Technical Support: +1 888 41 ASTEC  
or +1 407 241 2752

Waterfront Business Park  
Merry Hill, Dudley  
West Midlands, DY5 1LX  
United Kingdom  
Telephone: +44 (0) 1384 842 211  
Facsimile: +44 (0) 1384 843 355

Units 2111-2116, Level 21  
Tower 1, Metroplaza  
223, Hing Fong Road  
Kwai Fong, New Territories  
Hong Kong  
Telephone: +852 2437 9662  
Facsimile: +852 2402 4426

For global contact, visit:

[www.astecpower.com](http://www.astecpower.com)  
[technicalsupport@astec.com](mailto:technicalsupport@astec.com)

While every precaution has been taken to ensure accuracy and completeness in this literature, Astec Power assumes no responsibility, and disclaims all liability for damages resulting from use of this information or for any errors or omissions.

Printed in USA

**Emerson Network Power.**  
The global leader in enabling  
business-critical continuity.

- AC Power
- Connectivity
- DC Power
- Embedded Power**
- Inbound Power
- Integrated Cabinet Solutions
- Outside Plant
- Precision Cooling
- Site Monitoring and Services

**EmersonNetworkPower.com**

Emerson Network Power and the Emerson Network Power logo are trademarks and service marks of Emerson Electric Co.  
©2006 Emerson Electric Co.